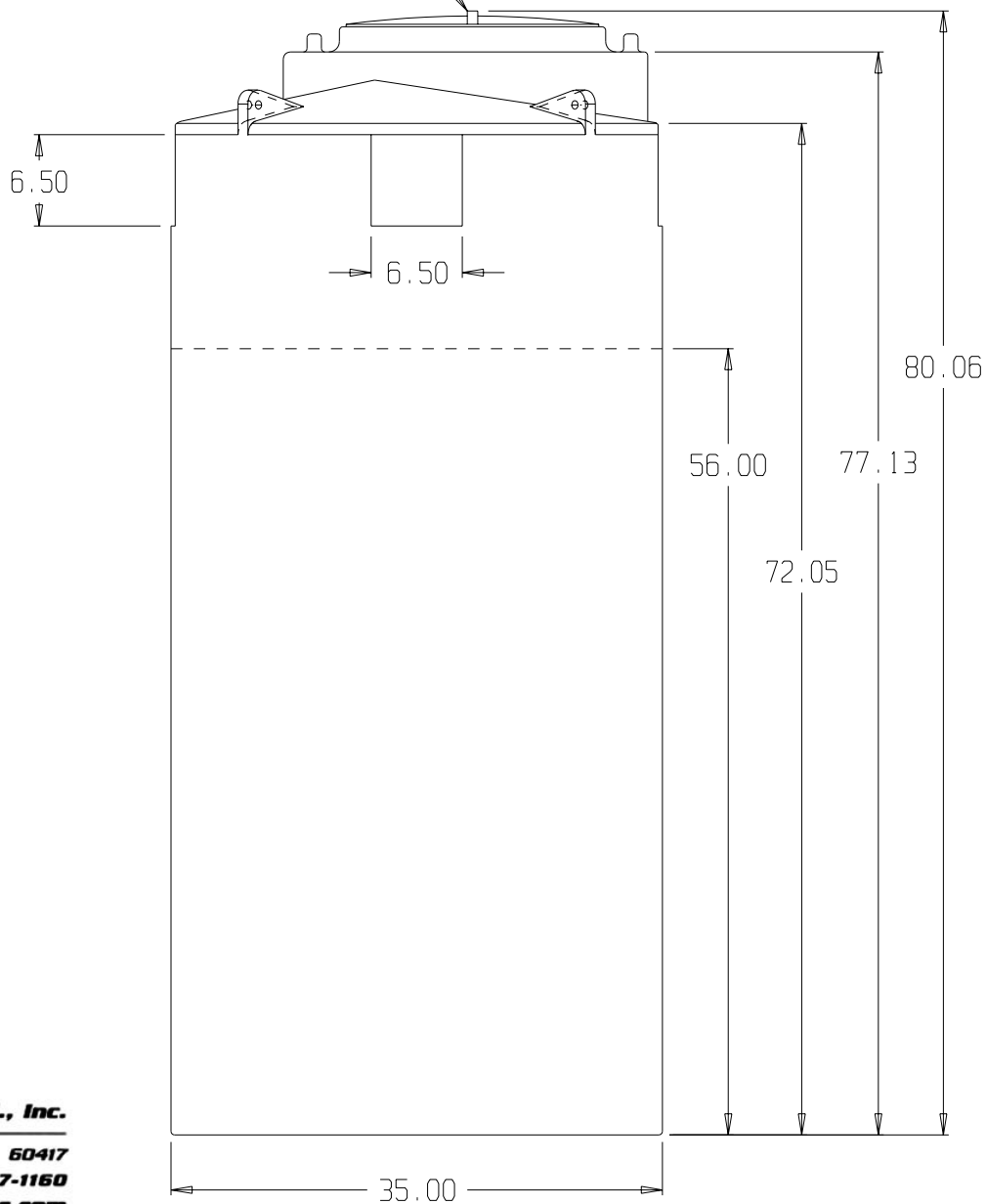
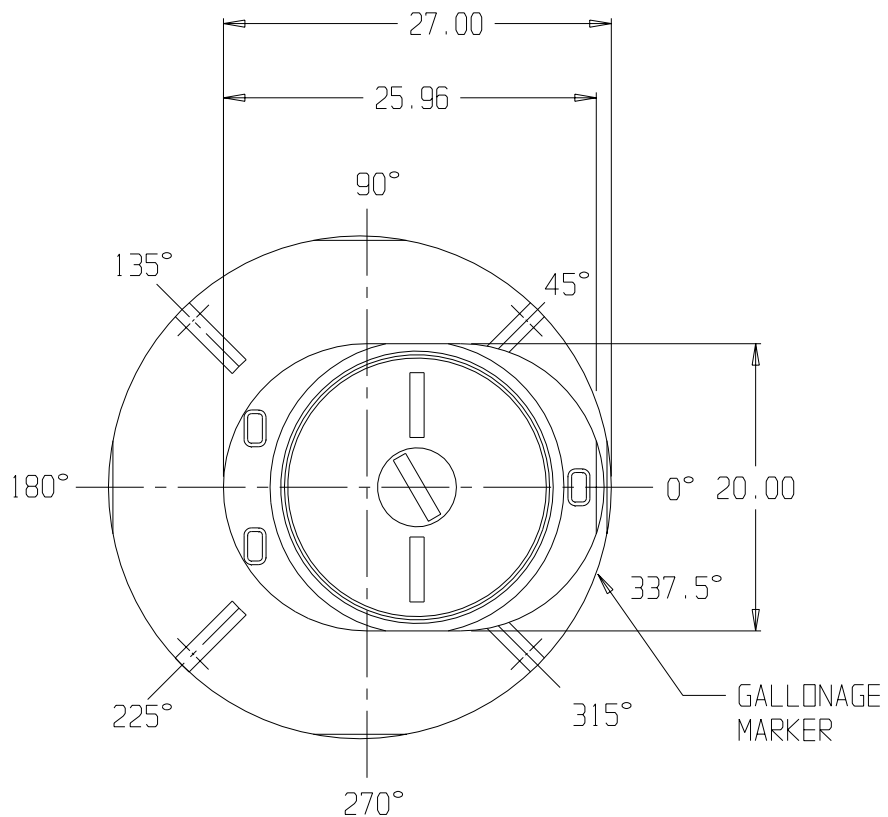


18" PE Threaded-vented Manway with 15" Access



Corrosion Resistant Equipment CO., Inc.
 24445 S. Klemme Road ■ Crete, IL ■ 60417
 Phone (708) 367-1111 ■ Fax (708) 367-1160
www.crecoinc.com

BASE FITTINGS TO BE LEFT INSTALLED AT TIME OF SHIPMENT PER Sii PROCEDURE

(all dimensions in inches)

PART # TANK: 163--P

300 GALLON FLAT BOTTOM TANK

REF#: 0000

07/22/02